



BE SERIES

SWITCH CONNECTOR FILTERS



INTRODUCTIONS

1. Designed as a general purpose filter with a switch effective EMI suppression for both common and differential mode noise.
2. With optional resistor and 3300pF/1000pF
3. Bleeder resistor is added with suffix "-R".
4. Switch electrical lifetime : 10,000 cycles.
Maximum inrush current : 50A.

COMPONENTS

PART NO.	Cx (uF)	L (mH)	Cy (pF)	R (Ω)	Lg (mH)
03BEEG3G/NG3G/-R	0.1	2.4	2200	1M	0.12
03BEEG3GA/NG3GA/-R					
06BEEG3G/NG3G/-R		0.8			
06BEEG3GA/NG3GA/-R					
10BEEG3G/NG3G/-R		0.3			
10BEEG3GA/NG3GA/-R					

A: with ground choke

MINIMUM INSERTION LOSS IN dB

COMMON MODE (L-G) IN 50 OHM SYSTEM						
CURRENT RATING	FREQUENCY-MHz					
	.15	.50	1.0	5.0	10	30
3A (G) (A)	20	30	35	35	35	35
6A (G) (A)	10	20	25	35	40	35
10A (G) (A)	5	10	20	30	35	35
DIFFERENTIAL MODE (L-L) IN 50 OHM SYSTEM						
3A (G) (A)	4	10	20	35	35	40
6A (G) (A)	4	10	10	35	35	40
10A (G) (A)	5	10	20	30	35	35

MECHANICAL CONSTRUCTION



BENG3G

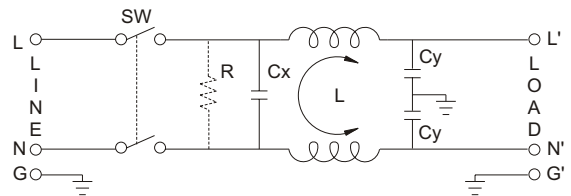


BEEG3G

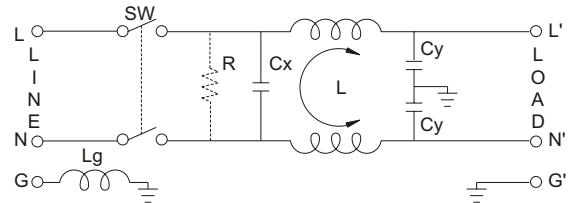
SPECIFICATIONS

1. Maximum leakage current each line-to-ground @ 115VAC 60Hz: 0.25mA @ 250VAC 50Hz: 0.45mA
2. Hipot rating (one minute) line-to-ground: 2250VDC line-to-line: 1450VDC
3. Operating frequency: 50/60Hz
4. Rated voltage: 115/250VAC

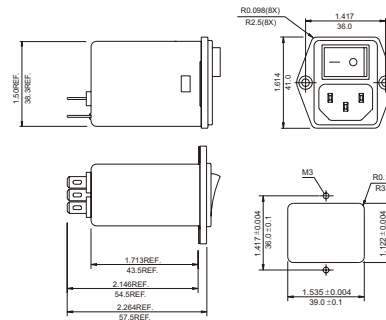
ELECTRICAL SCHEMATIC



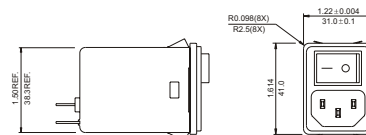
R: OPTION



3GA ONLY



BEEG3G



BENG3G

SUGGESTED MOUNTING CUTOUT (MOUNTING FROM FRONT)

SUGGESTED MOUNTING CUTOUT (MOUNTING FROM FRONT)

Suggested thickness of mounting panel is from 0.04(1.0) to 0.63(1.6) inch(mm) of mounting cutout

UNIT: INCH/mm

大豪电子
 电话: 0755-83233025
<http://www.szdahao.com>
<http://www.very-tec.com>

POWER ENTRY MODULE FILTERS