

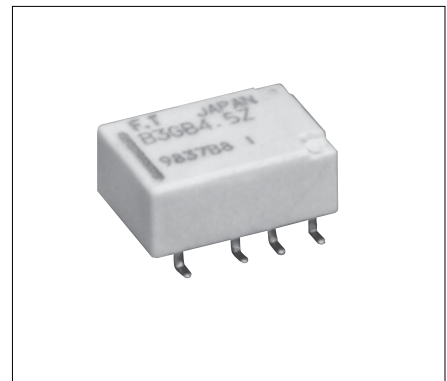
# ULTRA MINIATURE 2-POLES 2A (LOW PROFILE SIGNAL RELAY) FTR-B3 SERIES

RoHS compliant



## ■ FEATURES

- DPDT 2C
- Ultra miniature low profile relay with high heat resistant material
- Height: 5.45mm, Weight: 0.85g, Mounting space: 87mm<sup>2</sup>
- Adopted superior contact spring for high frequency characteristic
- Comply with Telcordia / FCC standard
  - Isolation distance: min. 1.6mm
  - Dielectric strength between coil and contact: 1500VAC
  - Surge strength: 2500V
- Low power: Non-latch: 140mW (230mW at 24V)  
Latch: 100mW (120mW at 24V)
- High reliable bifurcated gold overlay silver contact
- UL, CSA recognized. Confirms to IEC 60950, UL1950, EN60950. Spacing & high breakdown voltage (Basic insulation, 150 working volts, pollution degree 2).
- RoHS compliant since date code: 0431B8  
Please see page 11 and 12 for more information



**大豪电子**  
电话: 0755-83233025  
<http://www.szdahao.com>  
<http://www.very-tec.com>

# FTR-B3 Series

## ■ ORDERING INFORMATION

[Example]      FTR-B3    G B 012 Z -B 10  
                   (a)        (b)(c) (d) (e) (f) (g)

(a)	Series Name	FTR-B3 series
(b)	Terminal Type	C: through hole G: surface mount S: surface mount, space saving
(c)	Operation Function	A: standard type B: latching type (1 coil)
(d)	Rated voltage of coil	1.5 : 1.5 VDC    009 : 9VDC 003 : 3VDC      012: 12 VDC 4.5 : 4.5VDC    024 : 24VDC 006: 6VDC
(e)	Contact material	Z: gold overlay silver nickel (standard) P: gold overlay silver palladium
(f)	Relay enclosing direction*	B: standard enclosing direction
(g)	Number of relays per reel*	10: 1,000 (standard)

Remarks: Actual marking on relay would not carry code FTR and be as below:

Ordering code: FTR-B3GA012Z-B10

Actual marking: B3GA012Z

Note: \*:

- Only surface mount types (G and S) are applicable

- All relays are packaged in tubes unless P/N ends with -B10

## ■ PART NUMBERS

Standard type

Ordering Part Number	Series	Terminal Type	Operation	Coil Voltage	Contact Material
FTR-B3CA1.5Z	FTR-B3	C: through hole	A: mono-stable (standard type)	1.5	Z: Au-Ag-Ni P: Au-Ag-Pd
FTR-B3CA003Z				3	
FTR-B3CA4.5Z				4.5	
FTR-B3CA006Z				6	
FTR-B3CA009Z				9	
FTR-B3CA012Z				12	
FTR-B3CA024Z				24	
FTR-B3GA1.5Z				G: surface mount	
FTR-B3GA003Z		3			
FTR-B3GA4.5Z		4.5			
FTR-B3GA006Z		6			
FTR-B3GA009Z		9			
FTR-B3GA012Z		12			
FTR-B3GA024Z		24			
FTR-B3SA1.5Z		S: space saving surface mount			
FTR-B3SA003Z				3	
FTR-B3SA4.5Z				4.5	
FTR-B3SA006Z				6	
FTR-B3SA009Z				9	
FTR-B3SA012Z				12	
FTR-B3SA024Z				24	

# FTR-B3 Series

Latching type (1 coil)

Ordering Part Number	Series	Terminal Type	Operation	Coil Voltage	Contact Material
FTR-B3CB1.5Z	FTR-B3	C: through hole	B: latching	1.5	Z: Au-Ag-Ni P: Au-Ag-Pd
FTR-B3CB003Z				3	
FTR-B3CB4.5Z				4.5	
FTR-B3CB006Z				6	
FTR-B3CB009Z				9	
FTR-B3CB012Z				12	
FTR-B3CB024Z				24	
FTR-B3GB1.5Z		G: surface mount		1.5	
FTR-B3GB003Z				3	
FTR-B3GB4.5Z				4.5	
FTR-B3GB006Z				6	
FTR-B3GB009Z				9	
FTR-B3GB012Z				12	
FTR-B3GB024Z				24	
FTR-B3SB1.5Z		S: space saving surface mount		1.5	
FTR-B3SB003Z				3	
FTR-B3SB4.5Z				4.5	
FTR-B3SB006Z				6	
FTR-B3SB009Z				9	
FTR-B3SB012Z				12	
FTR-B3SB024Z				24	

# FTR-B3 Series

## ■ COIL DATA CHART

Standard type

Coil Voltage	Nominal Voltage (VDC)	Max. Coil Voltage* <sup>1</sup>	Coil Resistance (±10%)	Must Operate Voltage* <sup>2</sup>	Must Release Voltage* <sup>2</sup>	Nominal Power (mW)
1.5	1.5	3.53 VDC	16.1 Ω	1.13 VDC	0.15 VDC	140
003	3	7.05 VDC	64.3 Ω	2.25 VDC	0.3 VDC	
4.5	4.5	10.58 VDC	145 Ω	3.38 VDC	0.45 VDC	
006	6	14.10 VDC	257 Ω	4.5 VDC	0.6 VDC	
009	9	21.15 VDC	579 Ω	6.75 VDC	0.9 VDC	
012	12	28.20 VDC	1,028 Ω	9.0 VDC	1.2 VDC	
024	24	56.40 VDC	2,504 Ω	18.0 VDC	2.4 VDC	230

Latching type (1 coil)

Coil Voltage	Nominal Voltage (VDC)	Max. Coil Voltage* <sup>1</sup>	Coil Resistance (±10%)	Must Operate Voltage* <sup>2</sup>	Must Release Voltage* <sup>2</sup>	Nominal Power (mW)
1.5	1.5	3.53 VDC	22.5 Ω	1.13 VDC	-0.13 VDC	100
003	3	7.05 VDC	90 Ω	2.25 VDC	-2.25 VDC	
4.5	4.5	10.58 VDC	203 Ω	3.38 VDC	-3.38 VDC	
006	6	14.10 VDC	360 Ω	4.5 VDC	-4.5 VDC	
009	9	21.15 VDC	810 Ω	6.75 VDC	-6.75 VDC	
012	12	28.20 VDC	1,440 Ω	9.0 VDC	-9.0 VDC	
024	24	56.40 VDC	4,800 Ω	18.0 VDC	-18.0 VDC	120

Note: All values in the table are measured at 20°C.

\*1: No contact current at 20°C. Please see 'operating range' data for other conditions.

\*2: Specified values are subject to pulse wave voltage.

# FTR-B3 Series

## ■ SPECIFICATIONS

Item		Standard Type	Latching Type	
		FTR-B3 ( ) A	FTR-B3 ( ) B	
Contact	Arrangement	2Form C		
	Contact material	Gold overlay silver nickel / Gold overlay silver palladium		
	Contact type	Bifurcated contacts (cross-bar)		
	Contact resistance (initial value)	75mΩ , maximum (6VDC, 1A)		
	Contact rating	30VDC 1A /125VAC 0.3A (resistive)		
	Maximum carrying/switching current	2A		
	Maximum switching power	62.5 VA / 30W		
	Maximum switching voltage	250 VAC, 220 VDC		
	Minimum switching load *1	10mVDC, 0.01mA*1		
Coil	Nominal power (at 20° C)	140mW to 230mW	100mW to 120mW	
	Operate power (at 20° C)	80mW to 130mW	57mW to 68mW	
	Operating temperature (no frost)	-40° C to +85° C		
Time Value	Operate (at nominal voltage, without bounce)	3ms maximum		
	Release (at nominal voltage, without bounce)	3ms maximum		
Life	Mechanical	50 x 10 <sup>6</sup> ops. min. (at 3Hz)	20 x 10 <sup>6</sup> ops. min. (at 3Hz)	
	Electrical (resistive load)	100 x 10 <sup>3</sup> operations min. at 1A 30VDC (at 0.5Hz) 100 x 10 <sup>3</sup> operations min. at 0.3A 125VDC (at 0.5Hz)		
Other	Vibration resistance	Malfunction	10 to 55 Hz at double amplitude of 3.3mm	
		Endurance	10 to 55 Hz at double amplitude of 5mm	
	Shock resistance	Malfunction	Min. 750 m/s <sup>2</sup>	
		Endurance	Min. 1000 m/s <sup>2</sup>	
Weight		Approximately 0.8g		

\*1 Minimum switching loads mentioned above are reference values. Please perform the confirmation test with the actual load before production since reference values may vary according to switching frequencies, environmental conditions and expected reliability levels.

# FTR-B3 Series

## ■ INSULATION

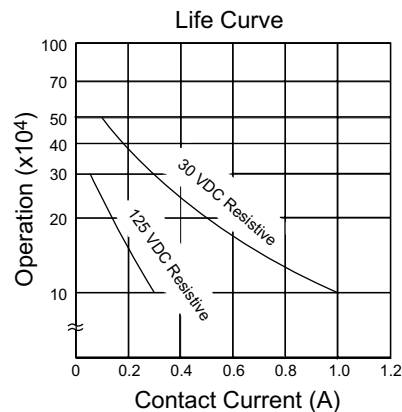
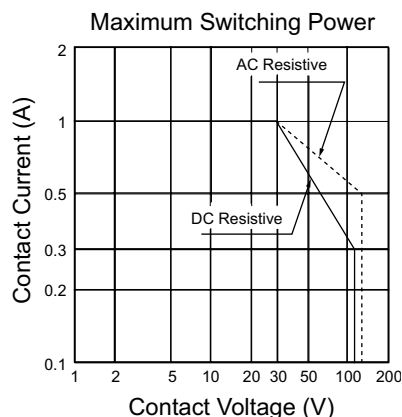
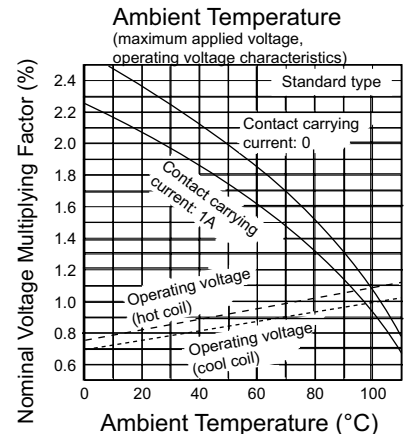
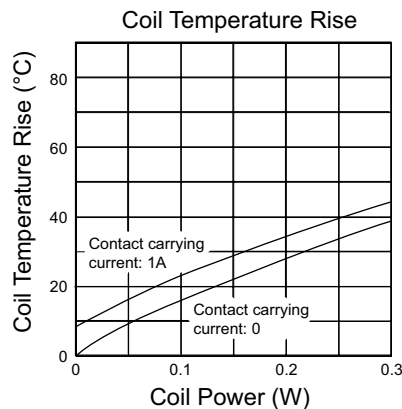
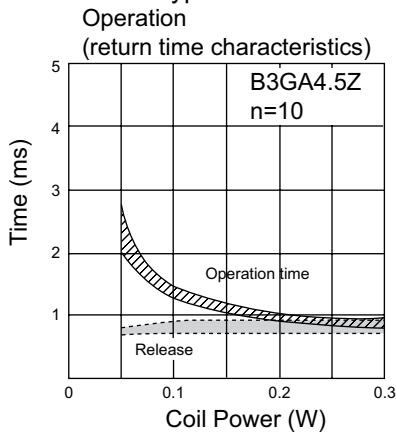
Item	FTR-B3	
Resistance (initial) (500 VDC)	Minimum 1,000 MΩ 1 min.	
Dielectric Strength	open contacts	1,000 VAC (50/60 Hz) 1 min.
	coil and contacts	1,500 VAC (50/60 Hz) 1 min.
	adjacent contacts	1,000 VAC (50/60 Hz) 1 min.
Surge Voltage (coil and contact)	2,500 V 2 x 10μs standard wave	
Clearance	adjacent contacts	1.0mm
	open contacts	0.28mm
	coil and contacts	1.0mm
Creepage	adjacent contacts	1.0mm
	open contacts	0.28mm
	coil and contacts	1.60mm

## ■ SAFETY STANDARDS

Type	Compliance	Contact rating
UL	UL 508	Flammability: UL 94-V0 (plastics) 0.5A, 125VAC (resistive) 1A, 30VDC (resistive)
	E63615	
CSA	C22.2 No. 14 LR 40304-58	0.3A, 110VDC (resistive) 2A, 30VDC (resistive)

## ■ CHARACTERISTIC DATA

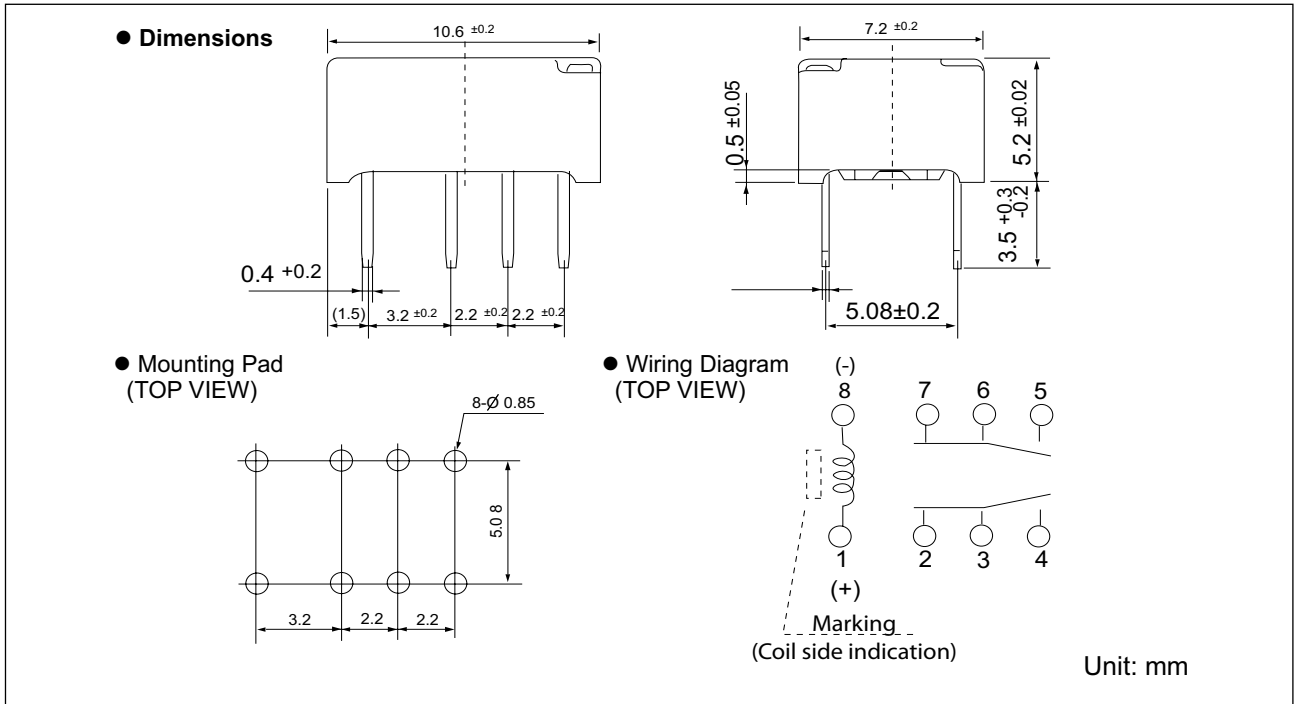
- Standard type



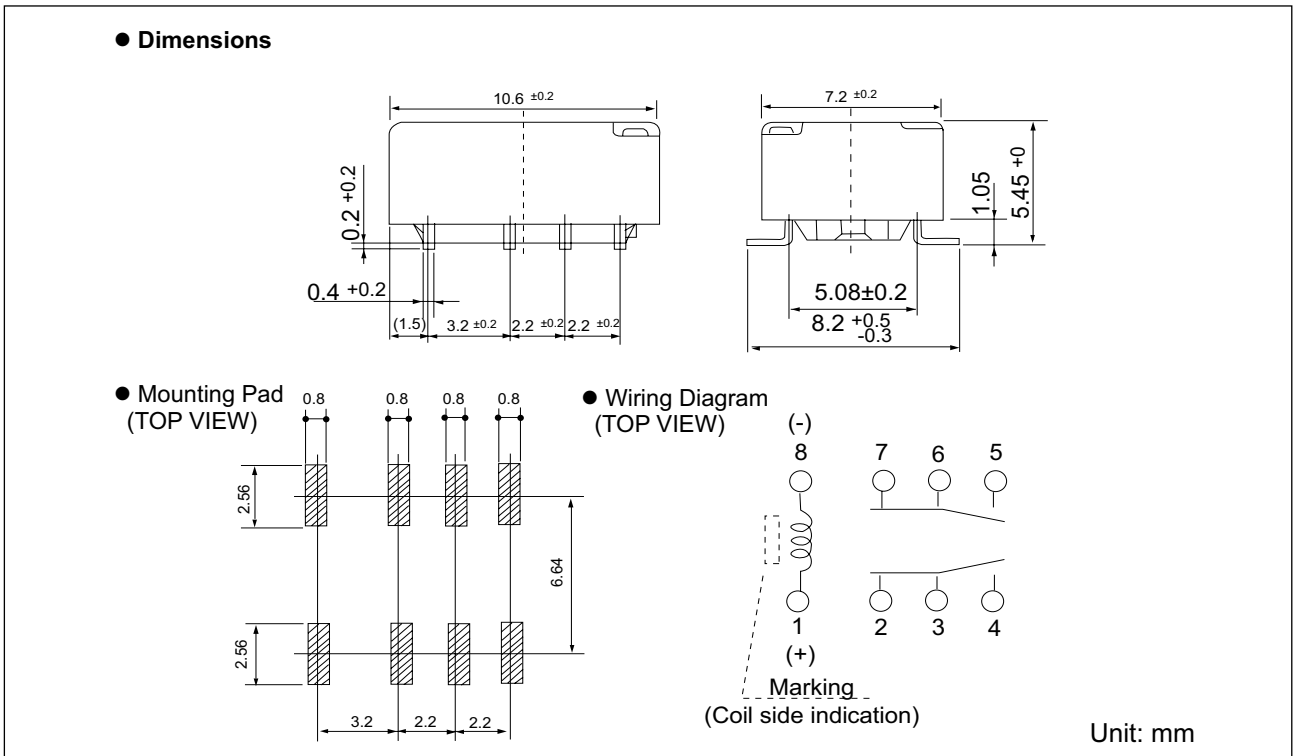
# FTR-B3 Series

## ■ DIMENSIONS

FTR-B3C( ) ( ) - Through hole type



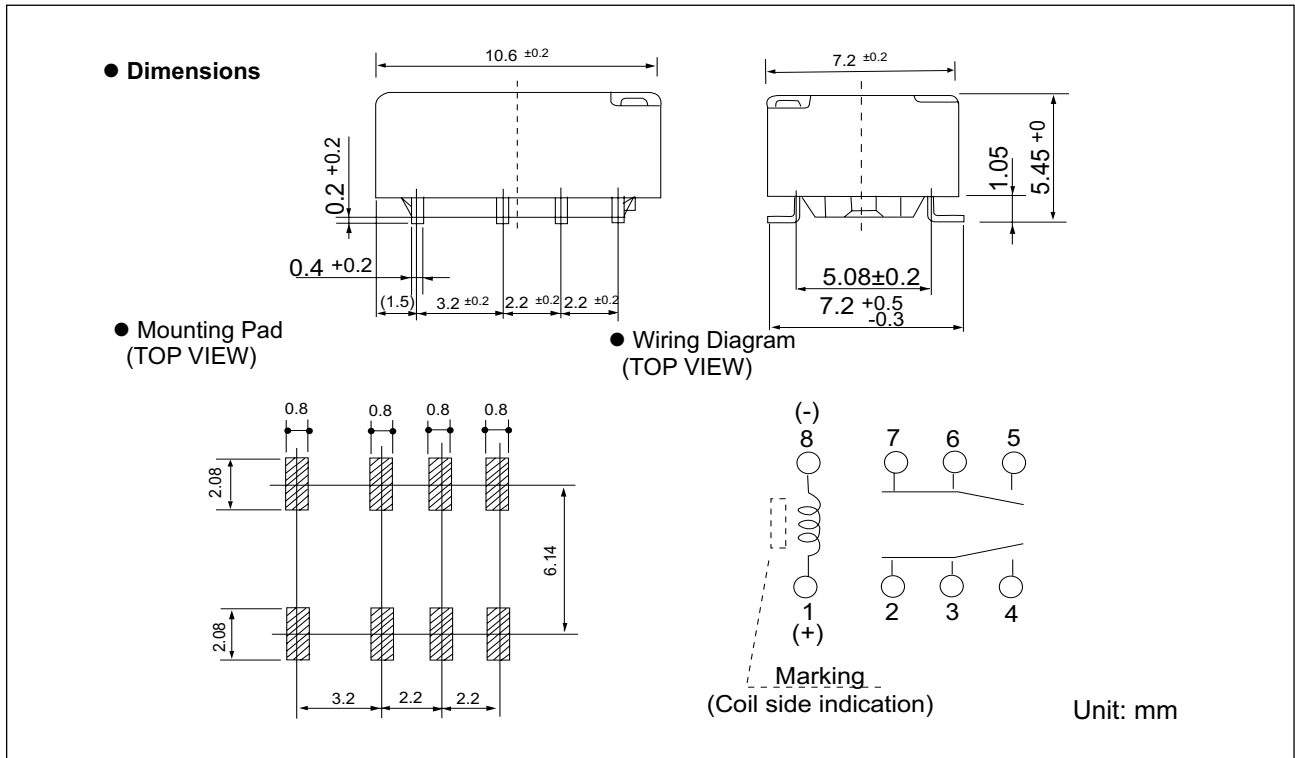
FTR-B3G( ) ( ) - Surface mount type (standard)



# FTR-B3 Series

## ■ DIMENSIONS

FTR-B3S( ) ( ) - Space saving type

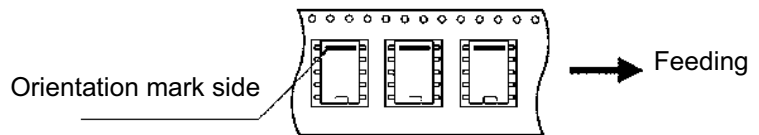


## ■ PACKAGING SPECIFICATIONS

● **Packaging Method**

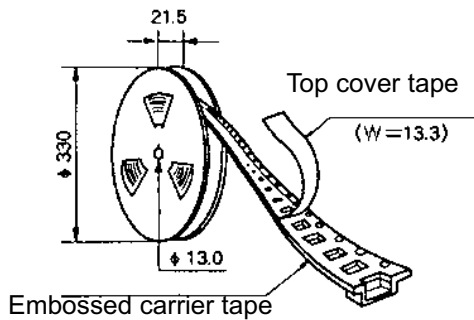
- Packaging Standard: JIS C 0806
- Taping Type: TB 1612
- Reel Type: R16D
- Quantity of 1reel: 1000 pieces

● **Packaging Orientation Code: B**

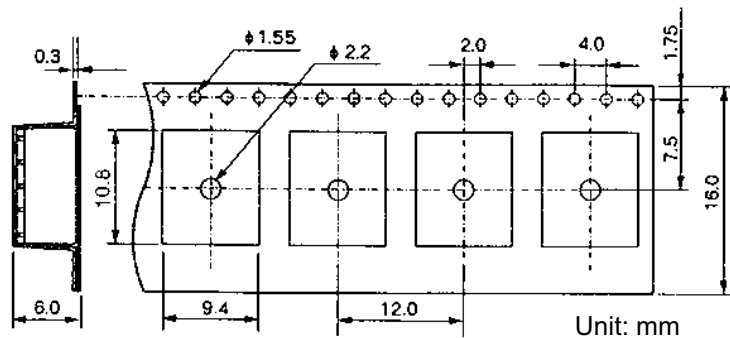


● (2) **Dimensions**

- Reel dimensions



● **Tape Dimensions**



Note: Relays are sold in packs of 1000 pieces, please order 1000 pieces as one unit.